

EDD

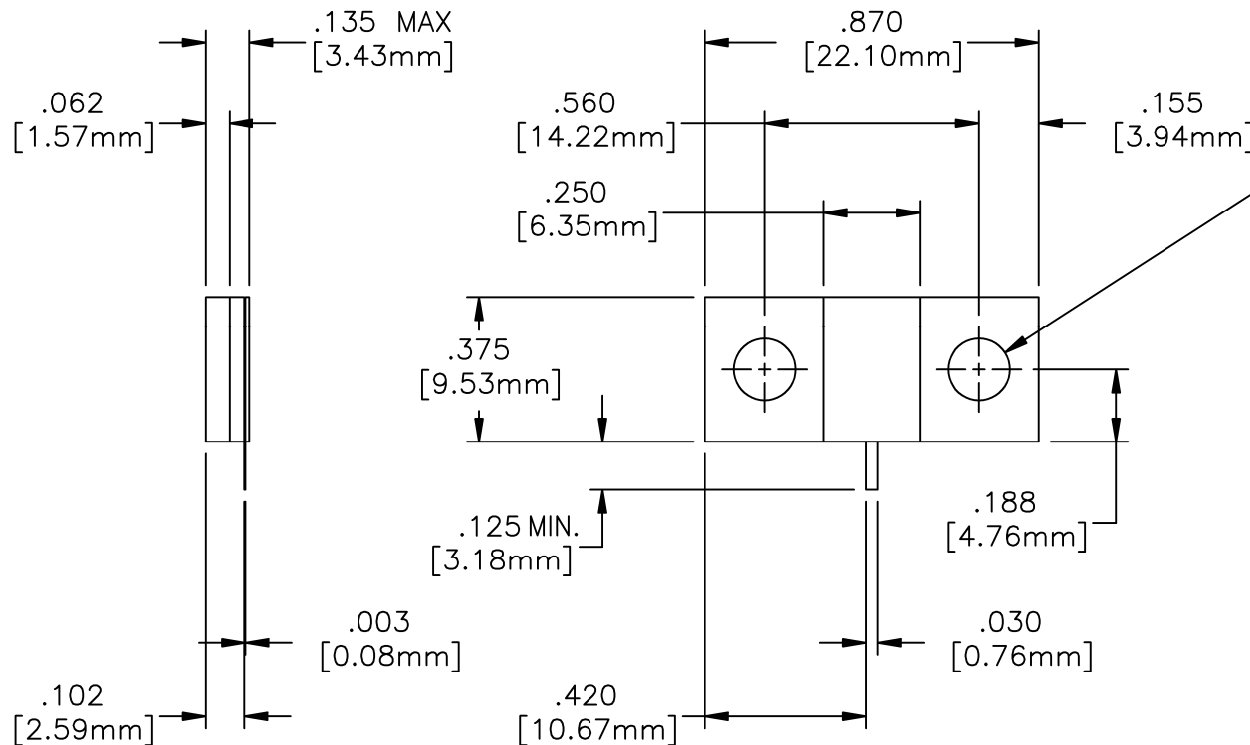
NOTES:
UNLESS OTHERWISE SPECIFIED, TOLERANCES ARE $\pm .010$ " [0.254mm].

DRAWING NO.:

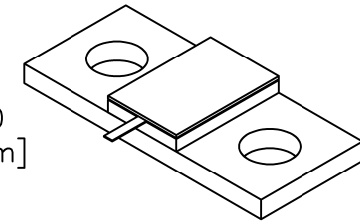
32A7023F

REV.

B



2X ϕ .160
[ϕ 4.06mm]
THRU



MATERIALS:


FLANGE: COPPER 1/4 HD
SUBSTRATE: ALUMINUM NITRIDE
COVER: ALUMINA
TAB: BERYLLIUM COPPER PER ASTM B194
RESISTIVE FILM: THIN FILM

FINISH:

RoHS COMPLIANT
FLANGE: NICKEL OVER COPPER
TAB: SILVER PLATED

ELECTRICAL:

NOMINAL IMPEDANCE: 50 OHMS
FREQUENCY RANGE: DC-2.5 GHz
VSWR (MAX): 1.30:1
AVERAGE POWER: 150 WATTS
DC RESISTANCE: $50 \pm 5\%$ OHMS
TEMPERATURE COEFFICIENT: ± 200 PPM
OPERATING TEMPERATURE: -55°C TO $+200^{\circ}\text{C}$

				EN# 06-F0825	APVD	DATE	REFERENCE		 8851 OLD KANSAS AVE. STUART, FL. 34997 772-286-9300		
				UNLESS OTHERWISE SPECIFIED 1. DO NOT SCALE DRAWING 2. DIMENSIONS ARE IN INCHES 3. DIMENSIONS ARE AFTER PLATING 4. CORNERS, EDGES AND FILLETS: R MAX 5. SURFACE ROUGHNESS: 6. REMOVE ALL BURRS			MATERIAL	-		TITLE	
				TOLERANCES .X \pm .XX \pm .XXX \pm ANGLES X' \pm			FINISH	-	TERMINATION, FLANGE MOUNT 150 WATT		
B	09-F1310	RS 11/23/09		THE INFORMATION CONTAINED HEREIN IS: (A) CONSIDERED PROPRIETARY TO FLORIDA RF LABS INC.; (B) PROTECTED BY COPYRIGHT OWNED BY FLORIDA RF LABS INC.; (C) CONSIDERED A "WORK FOR HIRE" UNDER COPYRIGHT LAW; (D) PROTECTED BY TRADE SECRET LAWS WHICH MAKE ILLEGAL THE MISAPPROPRIATION OF THIS INFORMATION; AND (E) IS TO BE USED SOLELY FOR THE PURPOSE WHICH IT IS SUPPLIED. THIS INFORMATION SHALL NOT BE DISCLOSED IN WHOLE OR IN PART, TO ANY PARTY, FOR ANY REASON WITHOUT THE EXPRESS WRITTEN CONSENT OF A QUALIFIED EXECUTIVE OF FLORIDA RF LABS INC.			SCALE	CAGE CODE ID NO.	SIZE	DRAWING NO.:	REV.
A	08-F0896	OJC 09/26/08					2/1	2Y194	A	32A7023F	B
REV.	DESCRIPTION	DRAWN	APVD.	MFG:	CHKD.:	DRAWN: AM 9/22/06	SHEET	OF			